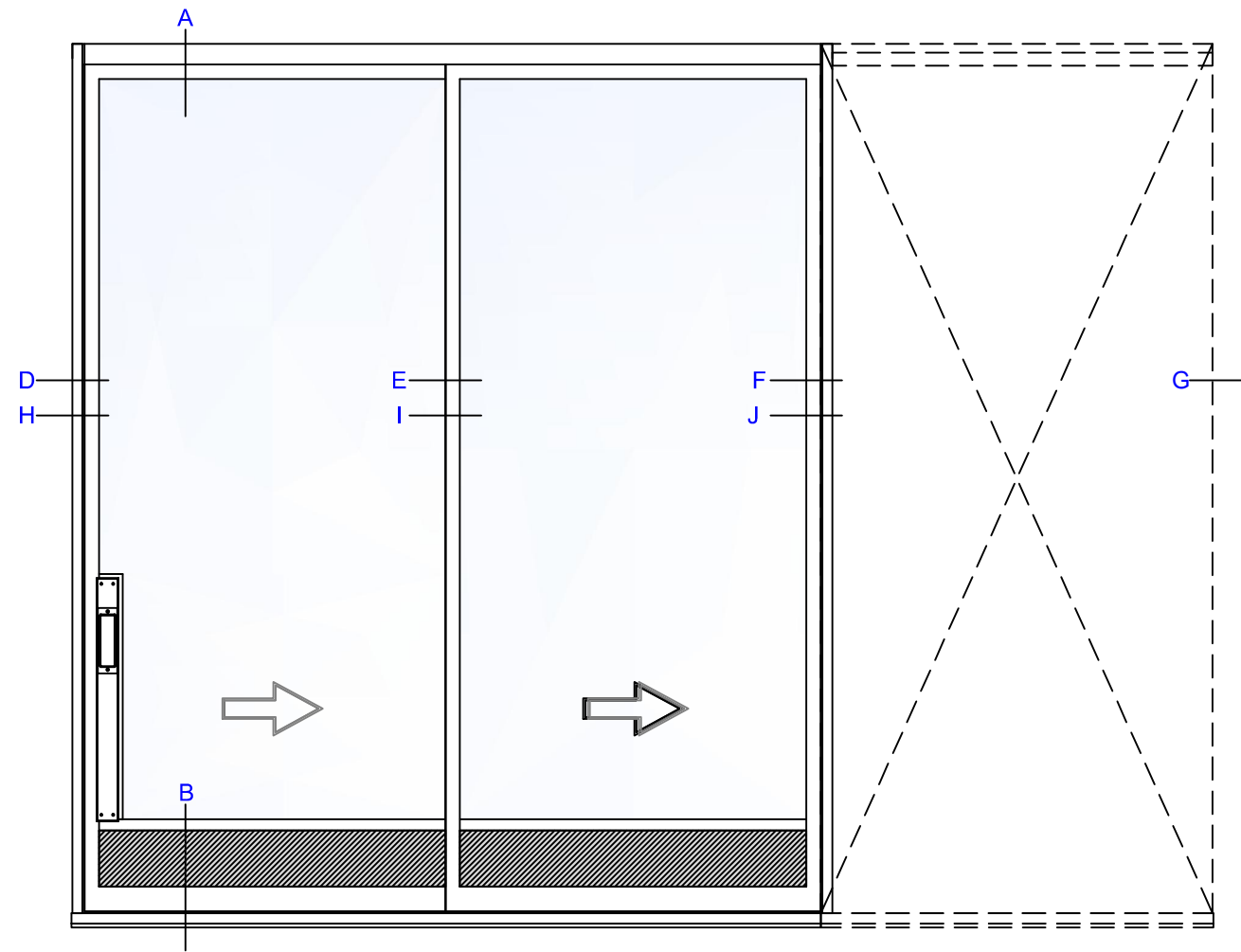
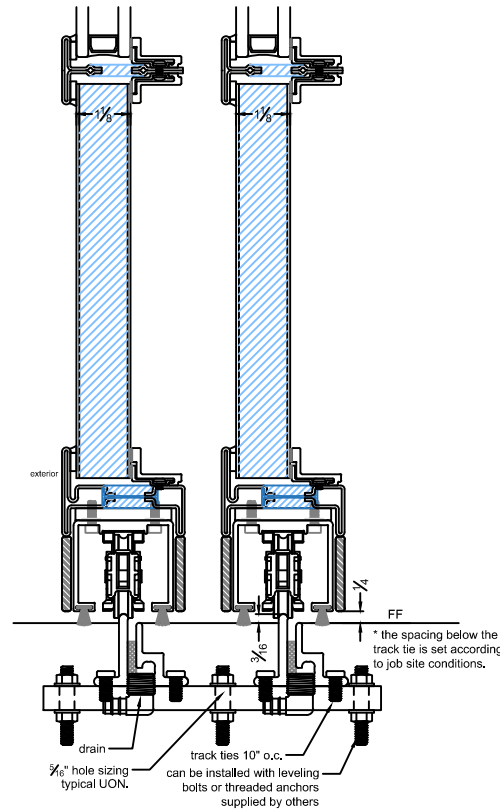


2 TRACK  
2 DOOR XX-P

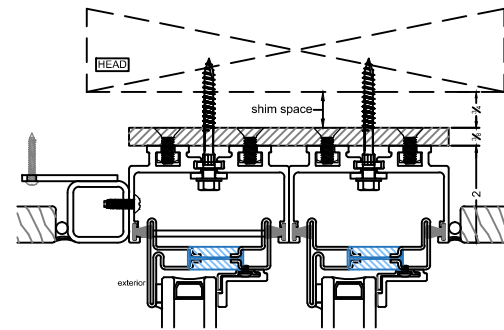


Exterior Elevation

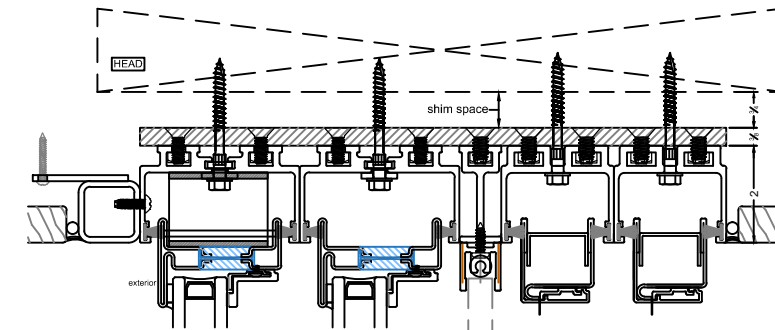
2 TRACK



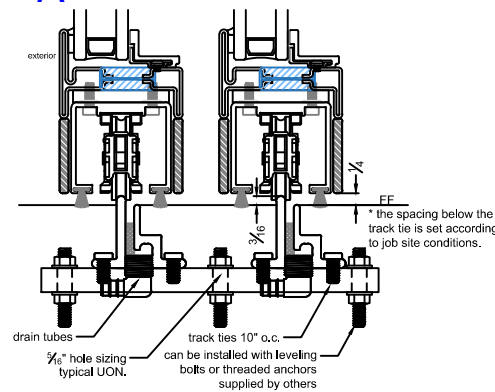
**B** SILL DETAIL with KICK PLATE



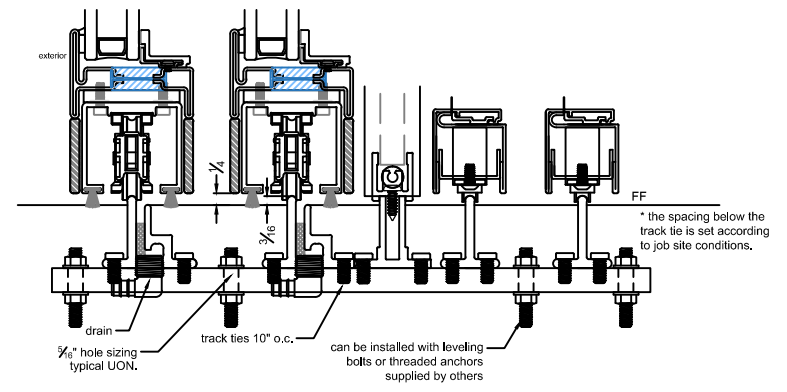
**A** HEAD DETAIL



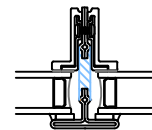
with SCREEN



**B** SILL DETAIL

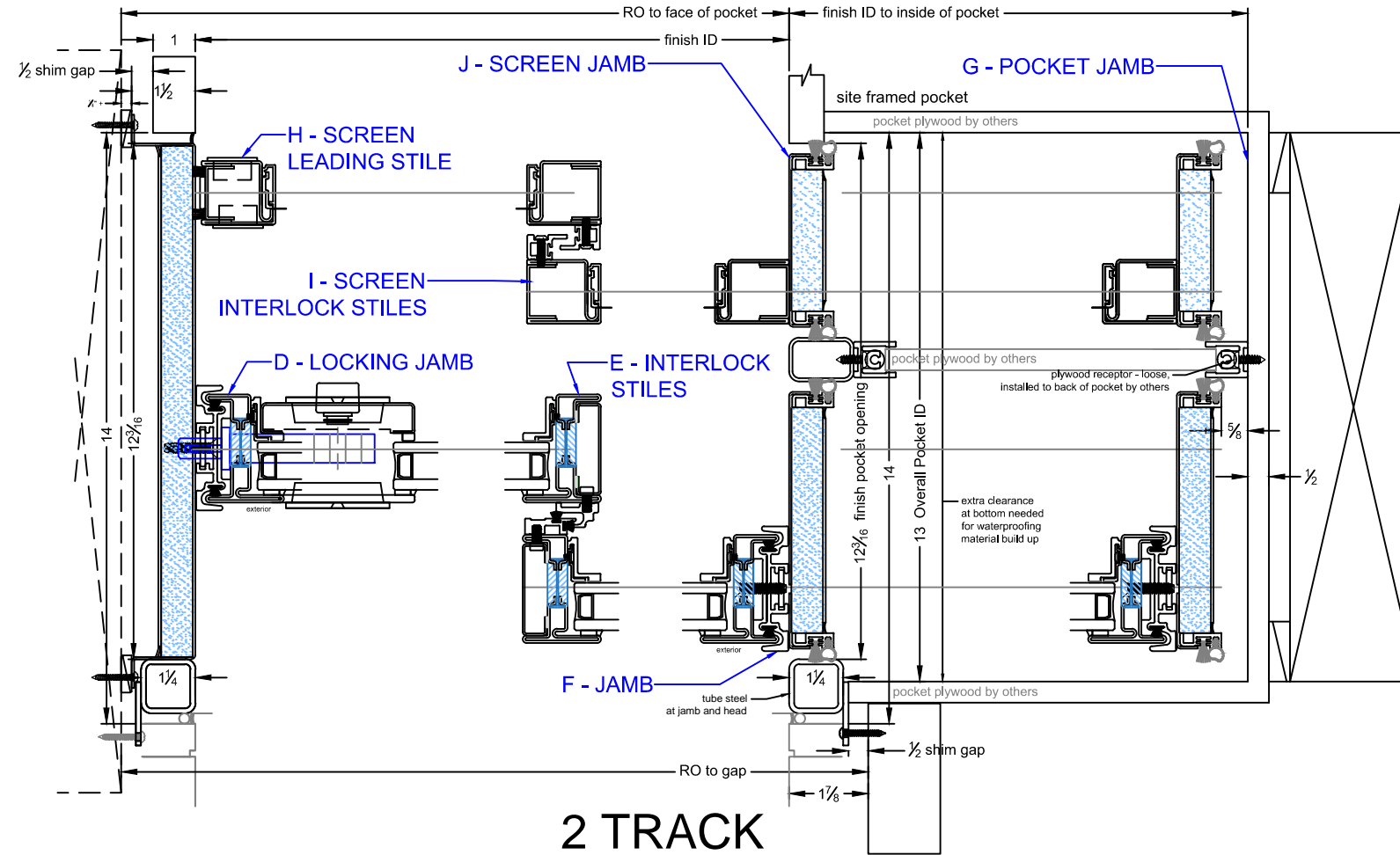


with SCREEN



**C** TDL-MUNTIN-BAR

# 2 TRACK 2 DOOR XX-P w/ SCREEN



# 2 TRACK 2 DOOR XX-P

