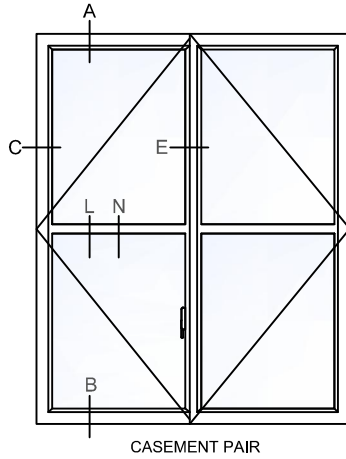
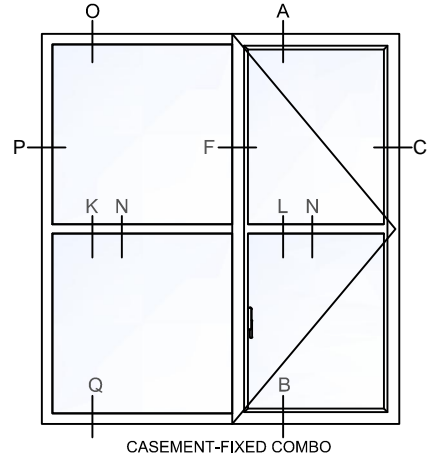


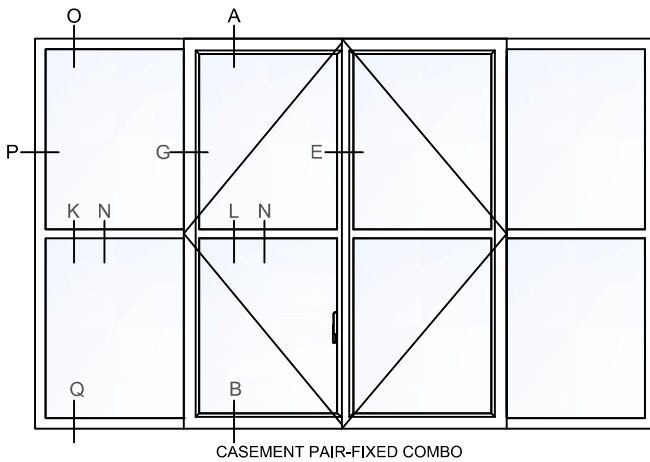
CASEMENT



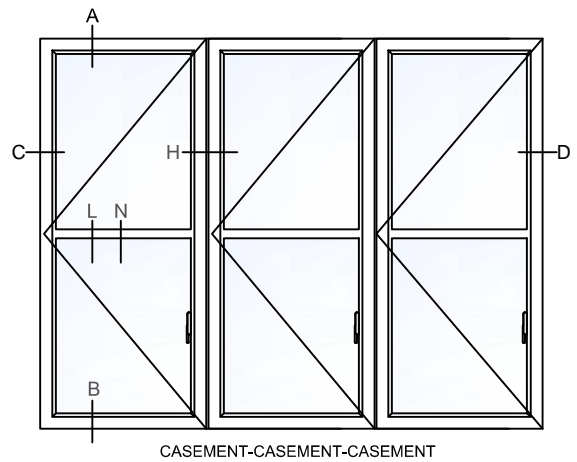
CASEMENT PAIR



CASEMENT-FIXED COMBO

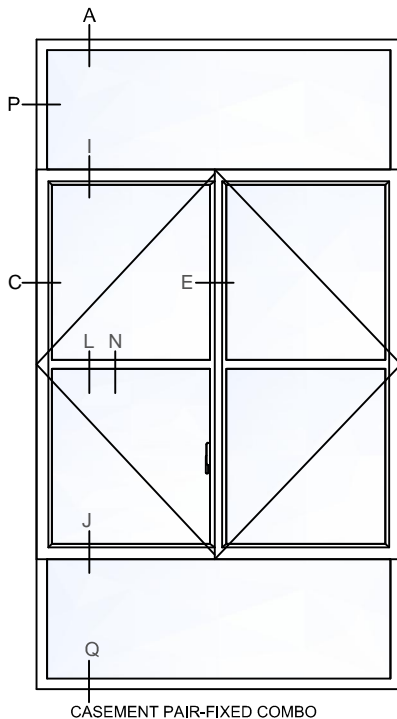


CASEMENT PAIR-FIXED COMBO

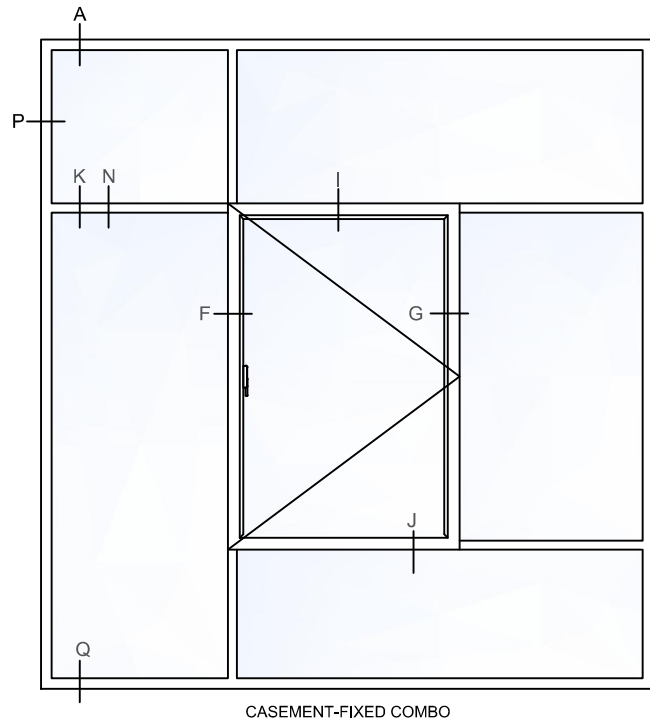


CASEMENT-CASEMENT-CASEMENT

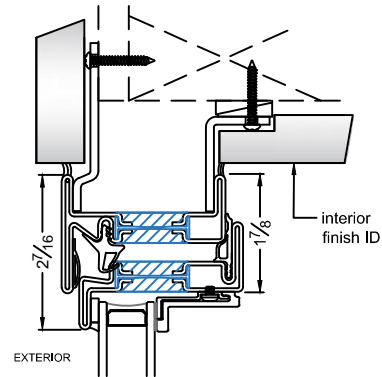
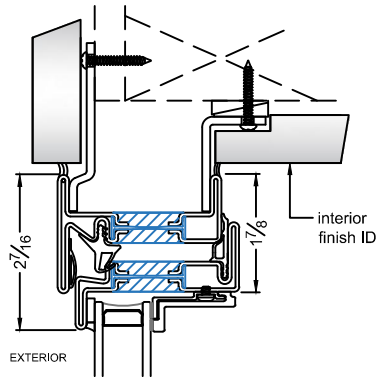
-D



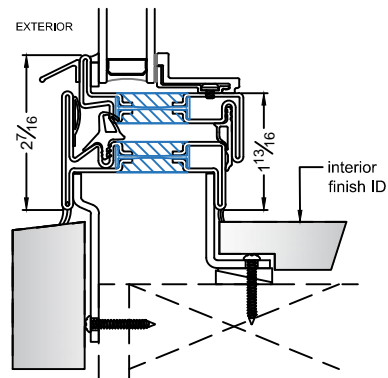
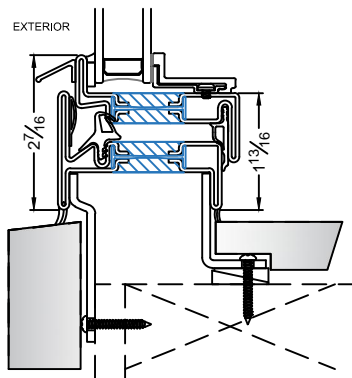
CASEMENT PAIR-FIXED COMBO



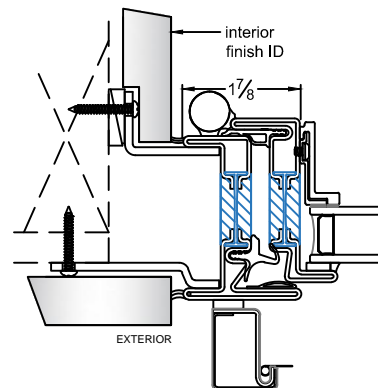
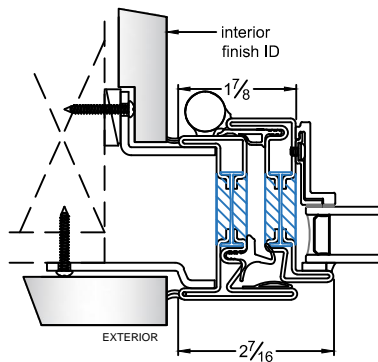
CASEMENT-FIXED COMBO



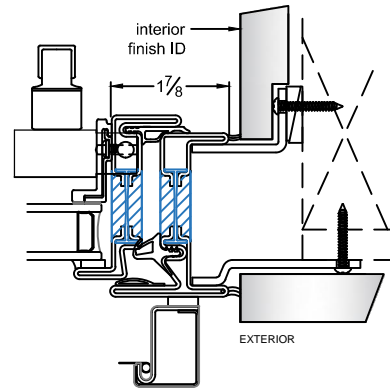
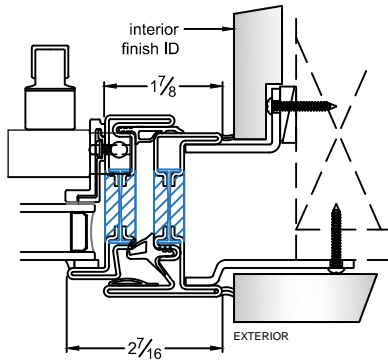
A HEAD DETAIL



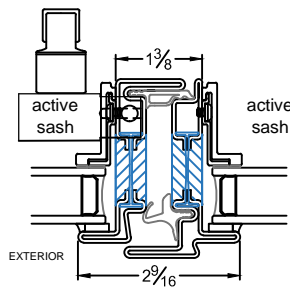
B SILL DETAIL



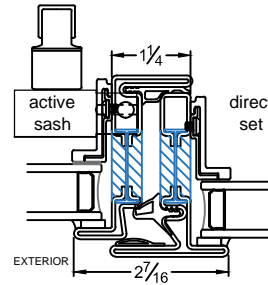
C HINGE JAMB DETAIL



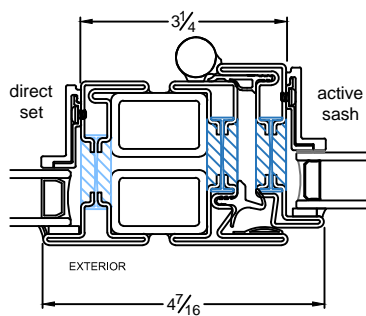
D LOCK JAMB DETAIL



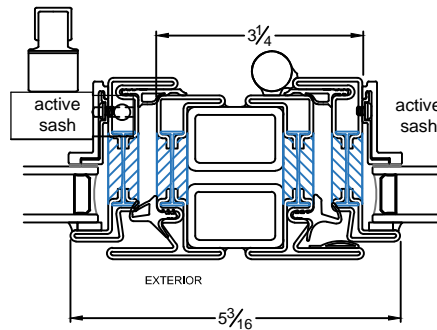
E MEETING STILES



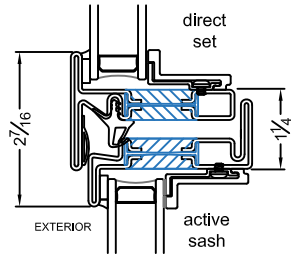
F COMBO STILES
lock only



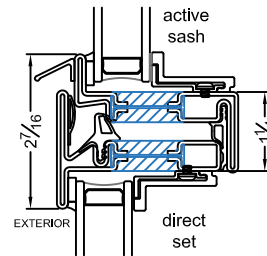
G TUBE MULLION



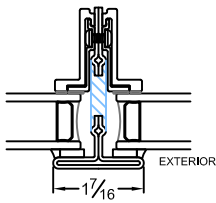
H TUBE MULLION



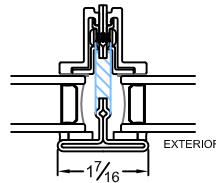
I HORZ COMBO



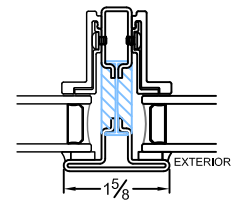
J HORZ COMBO



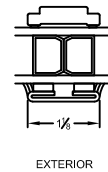
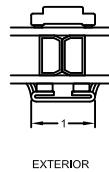
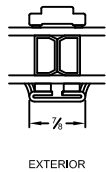
K TDL-MUNTIN-BAR



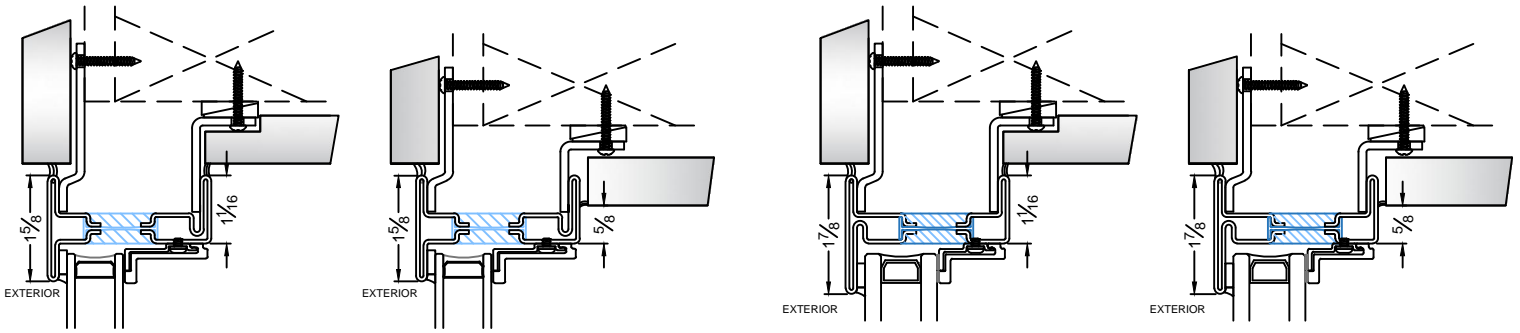
L TDL-MUNTIN-BAR



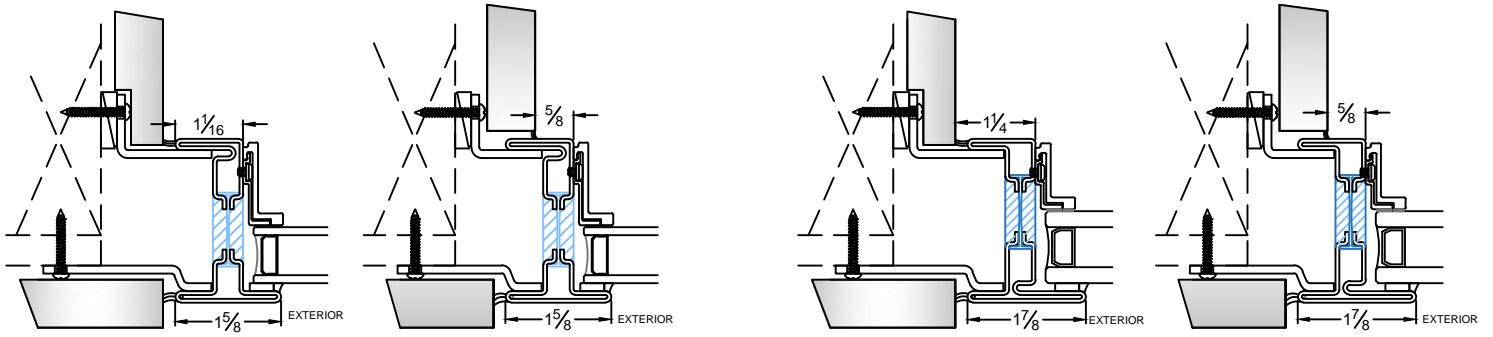
M MULLION



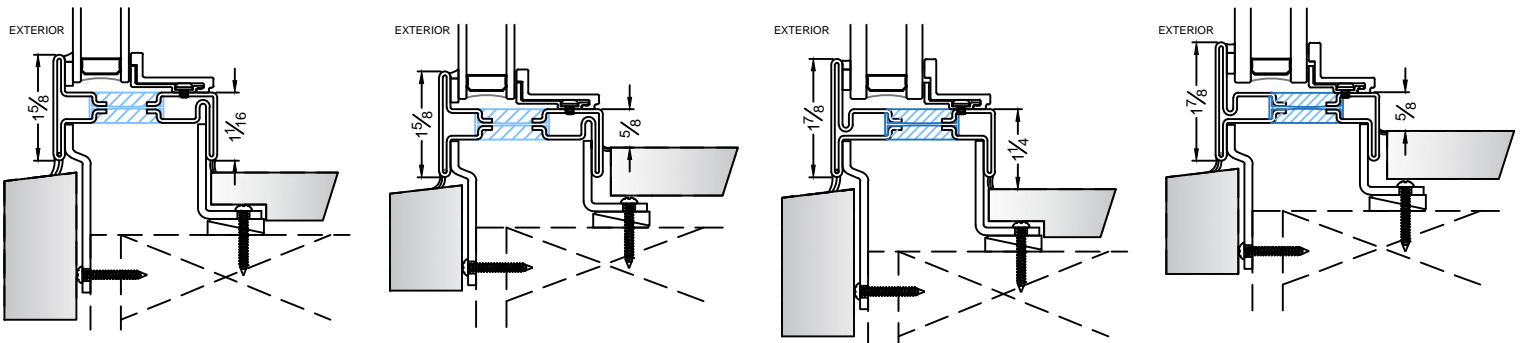
N SDL-MUNTIN-BAR OPTIONS



O HEAD DETAIL - DIRECT SET



P DIRECT SET - JAMB DETAIL



Q SILL DETAIL - DIRECT SET